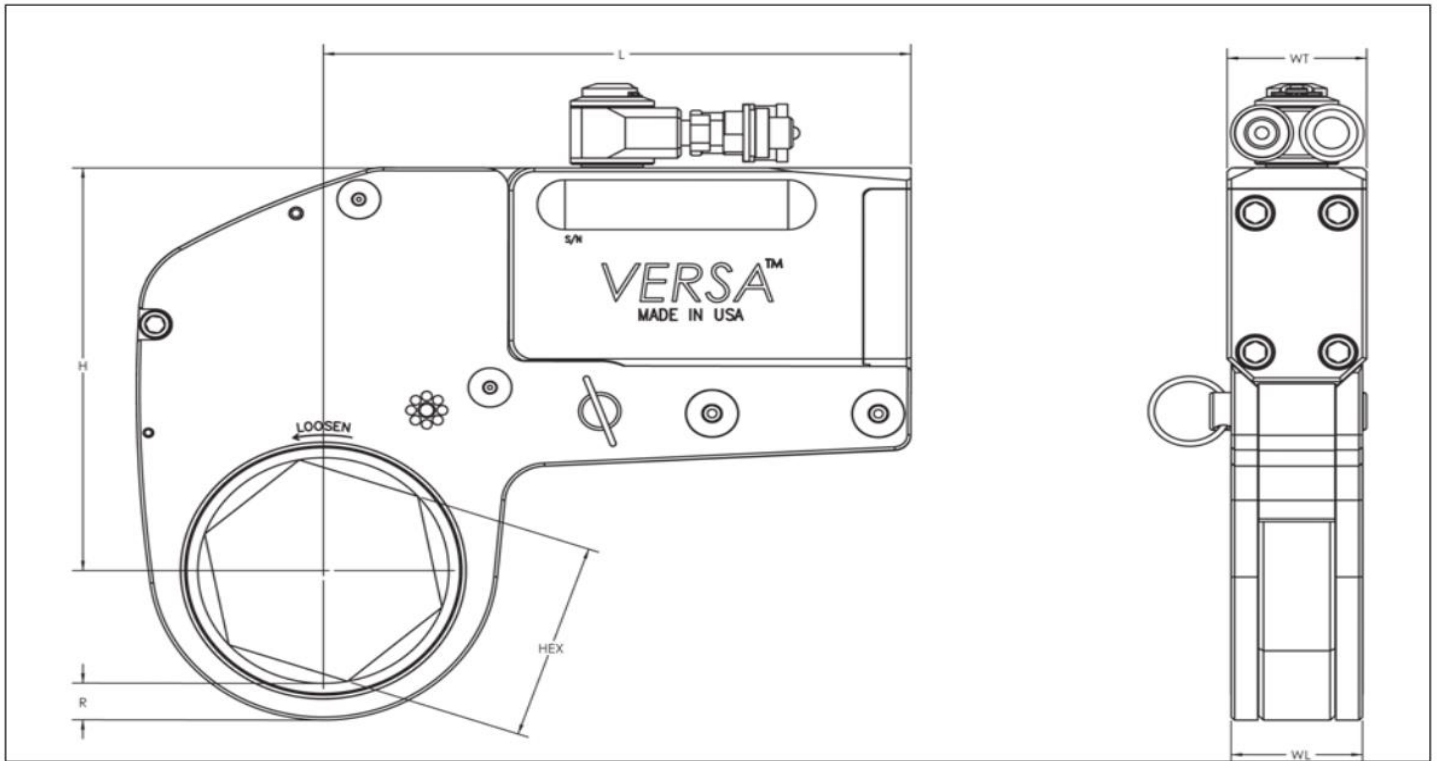
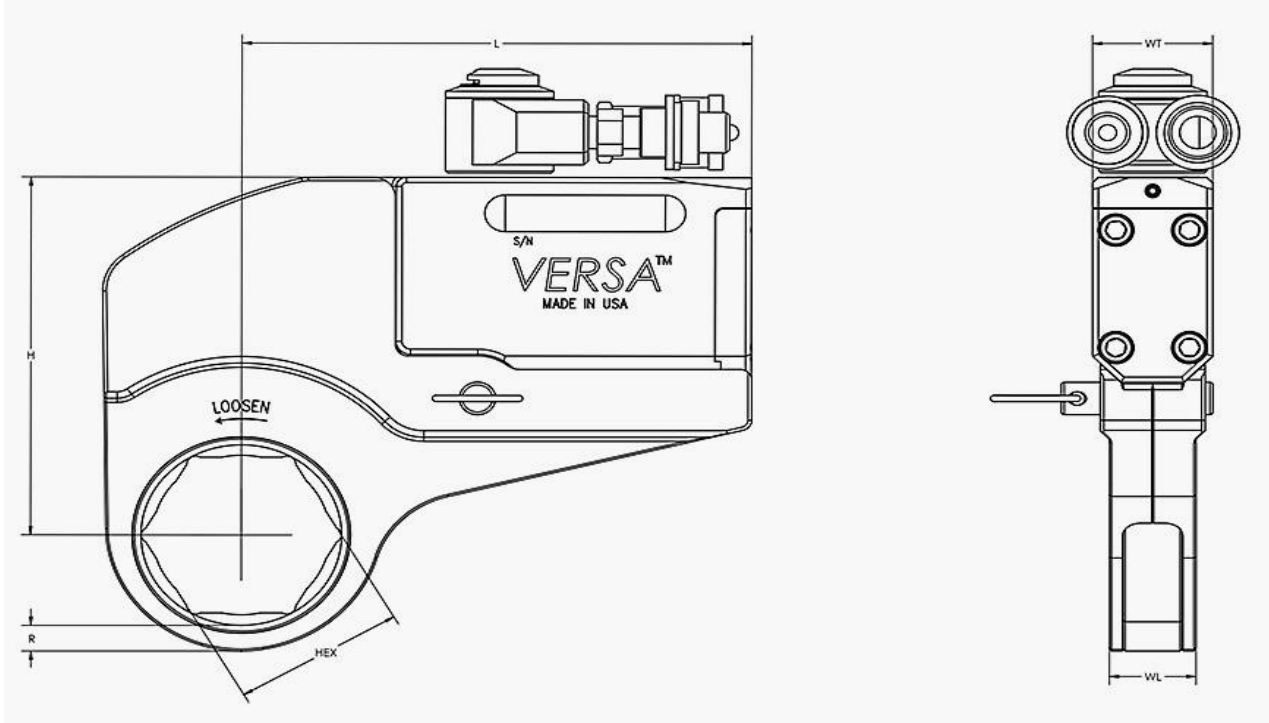


VERSA DIMENSIONS



MODEL	Hex Range	Radius (R)	Link Width (WL)	Tool Width (WT)	Length (L)	Height (H)	Torque (ft. lbs.)		Weight (lbs)
							Min.	Max.	
IMPERIAL									
VERSA-1	1" TO 1-13/16"	0.3	0.94	1.06	4.23	3.42	140	1000	3.1
VERSA-2	1" TO 2-3/8"	0.38	1.13	1.25	5.3	3.73	261	1920	3.3
VERSA-4	1-7/16" TO 3-1/8"	0.51	1.51	1.67	7.07	5.52	654	4502	7.2
VERSA-8	2" TO 3-7/8"	0.72	1.89	2.1	8.6	6.53	1350	8998	11.9
VERSA-14	2-3/4" TO 4-5/8"	0.73	2.35	2.5	10.52	8.03	2194	15011	19.3
VERSA-20	2-15/16" TO 5"	0.92	2.89	3	10.93	8.87	3205	22112	25
VERSA-30	3-3/8" TO 6-1/2"	1	3	3.75	13.89	10.95	5394	36777	47.7

MODEL	Hex Range	Radius (R)	Link Width (WL)	Tool Width (WT)	Length (L)	Height (H)	Torque (Nm.)		Weight (kg)
							Min.	Max.	
METRIC									
VERSA-1	24-46	8	24	27	107	87	190	1,356	1.41
VERSA-2	24-60	10	29	32	135	95	354	2,603	1.5
VERSA-4	36-80	13	38	42	180	140	887	6,104	3.27
VERSA-8	50-100	18	48	53	218	166	1,830	12,200	5.41
VERSA-14	70-120	19	60	64	267	204	2,975	20,352	8.77
VERSA-20	70-130	23	73	76	278	225	4,345	29,979	11.36
VERSA-30	85-165	25	76	95	353	278	7,313	49,862	21.68



MODEL	Hex Range	Radius (R)	Link Width (WL)	Tool Width (WT)	Length (L)	Height (H)	Torque (ft. lbs.)		Tool/Link Weight (lbs)
							Min.	Max.	
IMPERIAL									
VERSA SLIM LINK									
VERSA-2	1-1/4" TO 1-13/16"	0.35	1	1.25	5.63	4.3	280	1800	2.8
VERSA-4	1-13/16" TO 3-1/8"	0.43	1.2	1.67	7.17	5.51	640	4300	3.25
VERSA-8	2-3/8" TO 3-1/2"	0.55	1.45	2.1	8.89	7.12	1270	8500	7.35